

POWERFLEX®

PART NUMBER

PFF60-702G

DESCRIPTION

FRONT ARM REAR BUSH CASTER OFFSET

INSTALLATION GUIDE

Contents (parts per pack):

- 2 x Polyurethane Bushes
- 1 x PTFE/Silicone Grease
- 2 x Stainless Steel Sleeves
- 2 x Zinc Plated Mild Steel Washer
- 4 x Zinc Plated Mild Steel Outer Shells

Please read the complete fitting instructions and check package components before fitment. These fitting instructions are to be used as a guide and in conjunction with workshop manual.

It is recommended that:

- all work to be carried out by a licensed technician;
- all safety precautions adhered to;
- wheel alignment to be checked and adjusted as required after any suspension work.
- All fasteners must be tensioned to manufacturer's torque settings.

Fitting Instructions:

1. Remove the original rubber bush from the arm.
2. Clean any dirt and corrosion from the bore of the arm and file off any sharp edges.
3. Press in the two zinc plated mild steel outer shells into the bore of the arm on either side so the top lip sits on top of the arm, as shown in Figure 1.
4. Push the polyurethane bush into the tapered bore with the smallest lip of the bush sitting on the top side of the arm, as shown in Figure 1.

Tip: it may be necessary to apply some washing up liquid to the outside of the bush to ease fitting. See website for further information on fitting cotton reel bushes.

4. Apply some of the supplied grease to the bore of the polyurethane bush and push in the stainless steel sleeve so that it sits flush inside.

Tip: for maximum caster adjustment, place the bore of the sleeve towards the middle of the car (Figure 2).

5. Place the Zinc Plated Mild Steel Washer onto the top of the assembly and refit the arm to the vehicle and tension all hardware to manufacturers recommended torque settings.

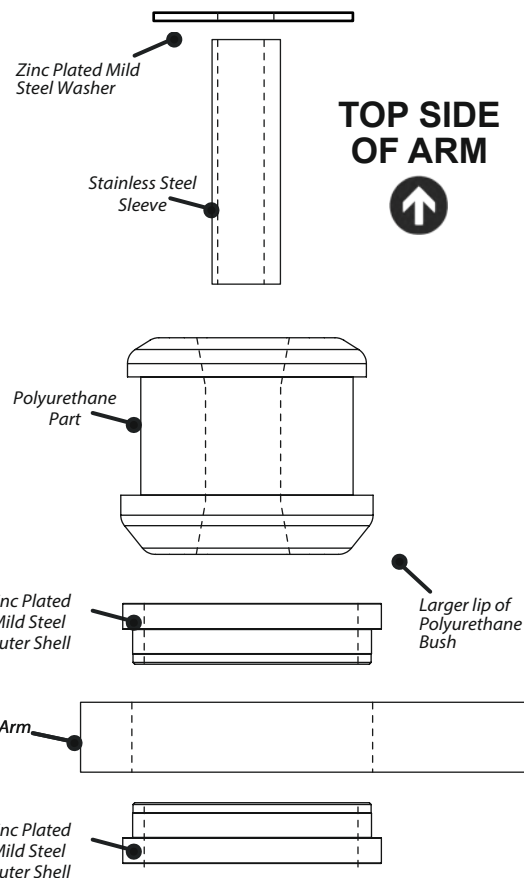


Figure 1

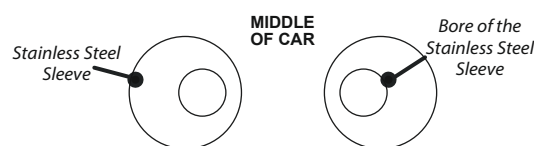


Figure 2